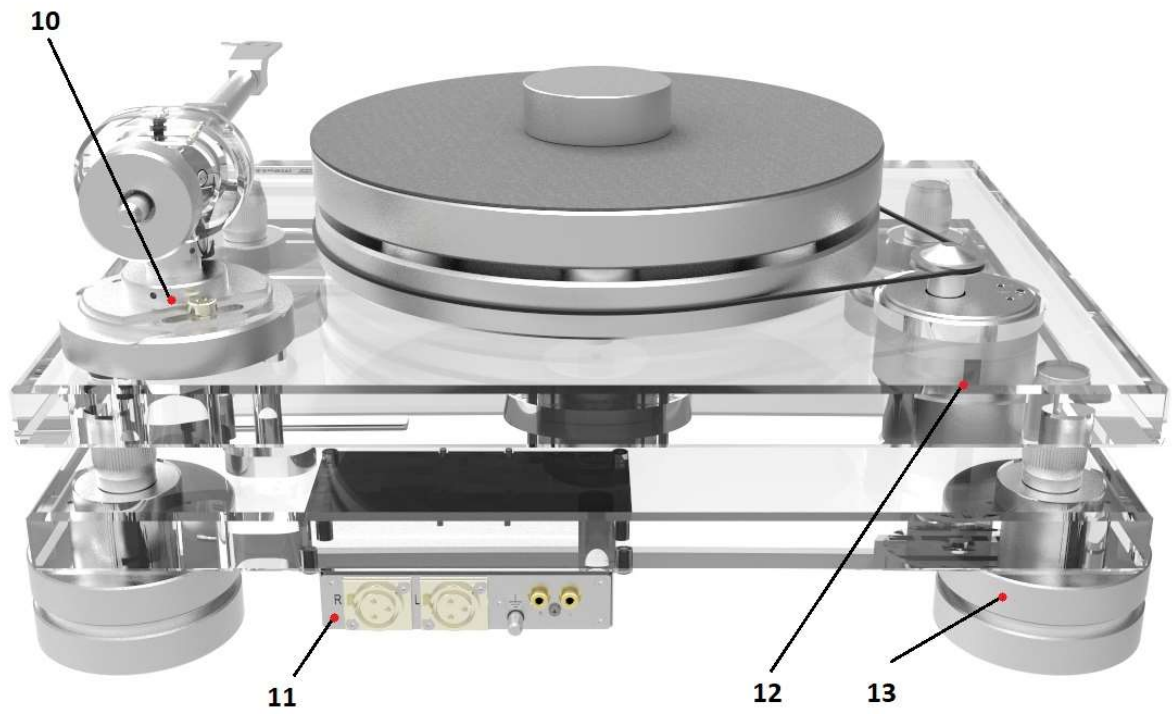
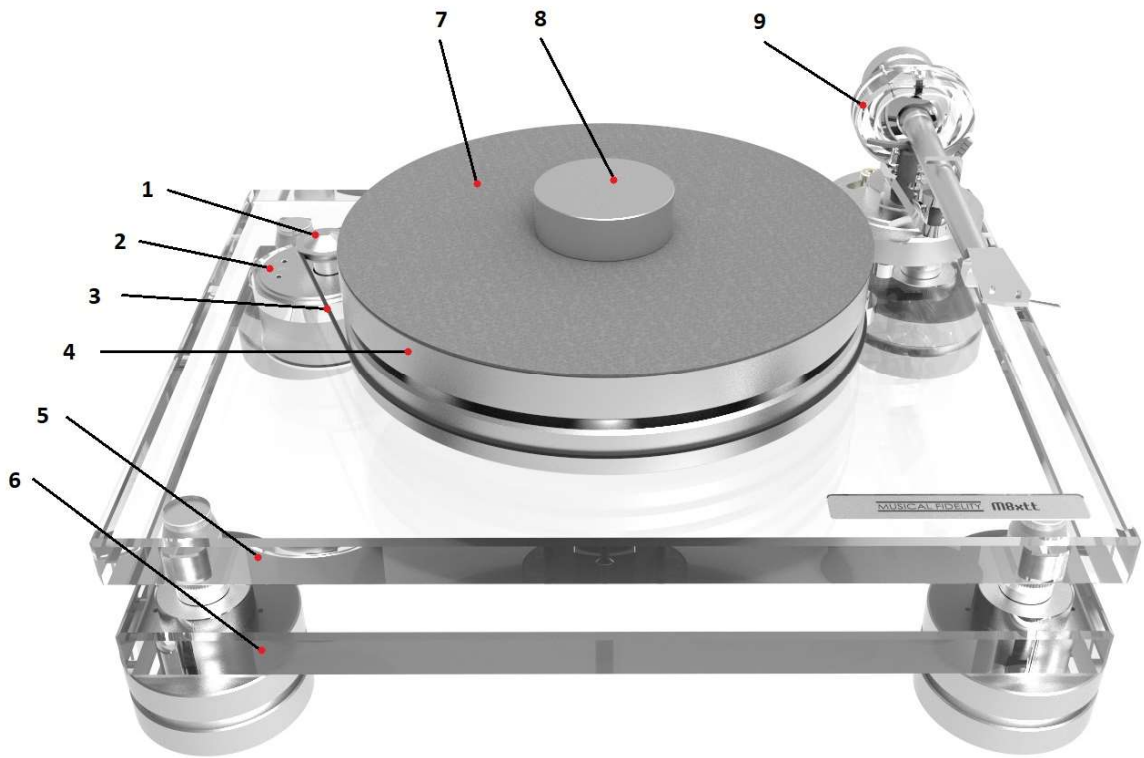




MUSICAL FIDELITY

INSTRUCTIONS FOR USE
M8xtt



MUSICAL FIDELITY

M8xtt

Controls, features and connections

- (1) Motor with motor pulley
- (2) Electronic speed control
- (3) Drive belt
- (4) Platter
- (5) Top acrylic chassis
- (6) Bottom acrylic chassis
- (7) Leather mat
- (8) Record puck
- (9) Musical Fidelity 10" tonearm
- (10) Universal tonearm abse flange
- (11) Output box with XLR and RCA output including earth connection screw and 5-pole DIN connector for tonearm output connection
- (12) Power supply socket

Turntable accessories

- (1) Instruction for use
- (2) Cartridge alignment protractor
- (3) Anti-skating weight
- (4) Allen key 1.5mm, 2mm, 3mm
- (5) Counterweight no. 14 (6 – 14g) and no. 13 (12 – 20g)
- (6) Single adaptor
- (7) Connect IT E RCA 1,23m
- (8) Power supply
- (9) White cotton gloves
- (10) Cloth
- (11) Record puck
- (12) Leather mat
- (13) Tonearm flange LINN standard
- (14) Tonearm flange SME standard
- (15) Grease for inverted platter bearing

CONTENTS

TURNTABLE OVERVIEW	2 - 3
ACCESSORIES OVERVIEW	3

SETUP AND INSTALLATION

1. UNPACKING	6-7
2. CHASSIS ASSEMBLY	7-8
3. MOTOR ASSEMBLY	8
4. TURNTABLE DRIVE ASSEMBLY	8-9
5. CONNECTION TO THE AMPLIFIER	9-10
6. MAINS POWER CONNECTION	10
7. SWITCHING ON AND OFF / CHANGING REPLAY SPEED	10
8. TONEARM SETTINGS	11
a) CARTRIDGE INSTALLATION	11-12
b) CARTRIDGE DOWNFORCE ADJUSTMENT	12
c) VERTICAL TRACKING ANGLE ADJUSTMENT	12-13
d) AZIMUTH ADJUSTMENT	13
e) ANTI-SKATING FORCE ADJUSTMENT	13-14

TECHNICAL SPECIFICATIONS	14
--------------------------	----

WARRANTY, SERVICE	15
-------------------	----

PACKAGING	16
-----------	----

Dear music lover,

Thank you for purchasing a Musical Fidelity record player.

In order to achieve maximum performance and reliability, please study these instructions carefully.



Warning of a hazard for the user, the unit or possible misuse



Important notice

The following instructions for adjusting the cartridge are provided in case the cartridge is replaced by a different model at a later date.

During assembling and adjustment small parts could be lost if they are not carefully placed in a suitable receptacle. Before starting assembly make yourself acquainted with the parts listed above which are correspondingly numbered in the technical drawings above.

Safety instructions

The power supply is used to connect and disconnect the unit from the mains. Make sure that the plug is easily accessible at all times. Hold the plug when unplugging the power cord. Never handle the power cord while your hands are wet or damp.



Avoid letting liquids enter the device. Never place any item containing liquid, like a flower vase, on or near the device. Never spill any liquid on the device. Never place any naked flame sources, like lighted candles, on or near the device. The product shall not be used in damp or wet locations, next to a bathtub, sink, swimming pool or any other similar conditions.

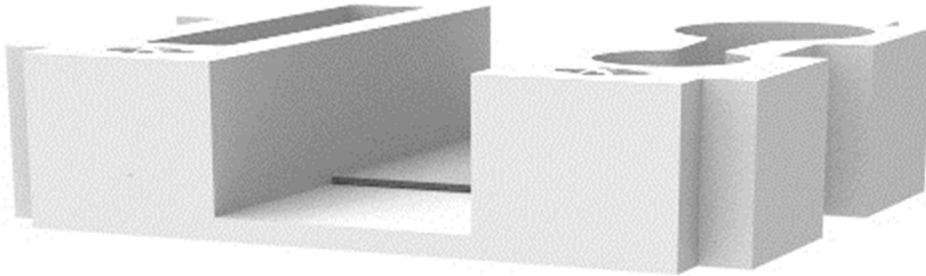
Keep plastic bags away from children to prevent any risk of suffocation.

The turntable was shipped partially disassembled in order to avoid damage to sensitive parts. Please check immediately to make sure that neither the packaging nor the device was damaged in transit.

SETUP AND INSTALLATION

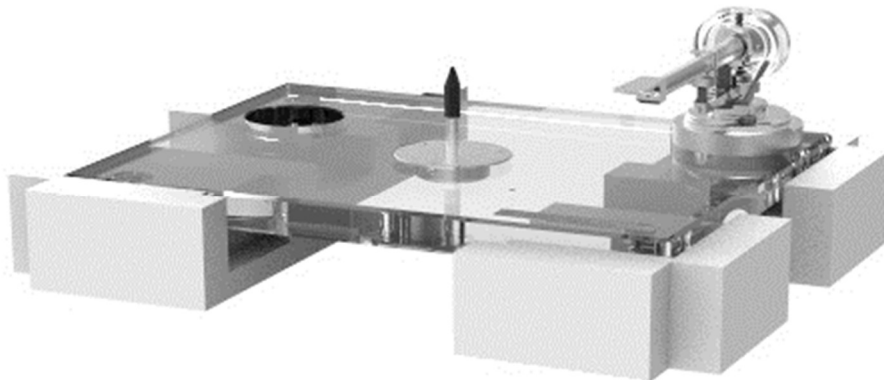
1. UNPACKING

- a) Please remove carefully top foam insert which secures the tonearm during the transport (if mounted) and where accessories find its place including two supplied counterweights.

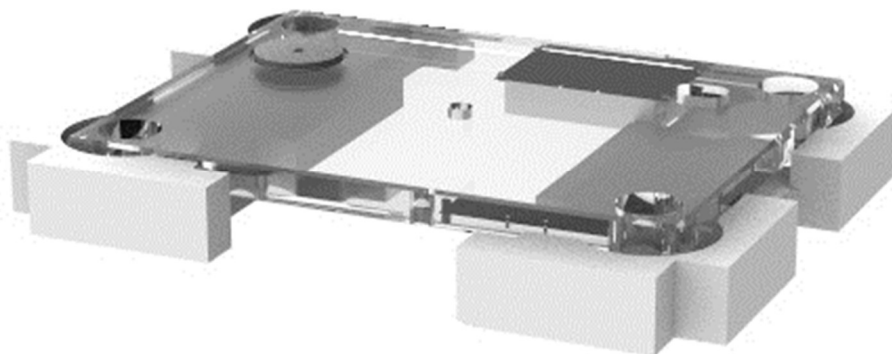


Before the next steps, please put on the cotton gloves supplied as an accessory.

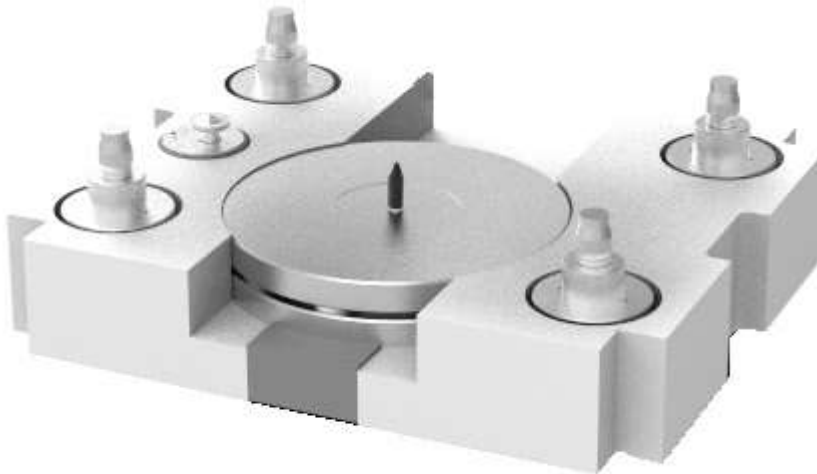
- b) Remove carefully top acrylic part of the chassis from the box and place it on the save place.



- c) Remove the other set of white foams that held the top acrylic chassis and set them aside - you will place the bottom acrylic chassis on top of them which is in the next layer of packaging.
- d) Remove the bottom acrylic chassis and place it on top of the foam inserts you just removed.



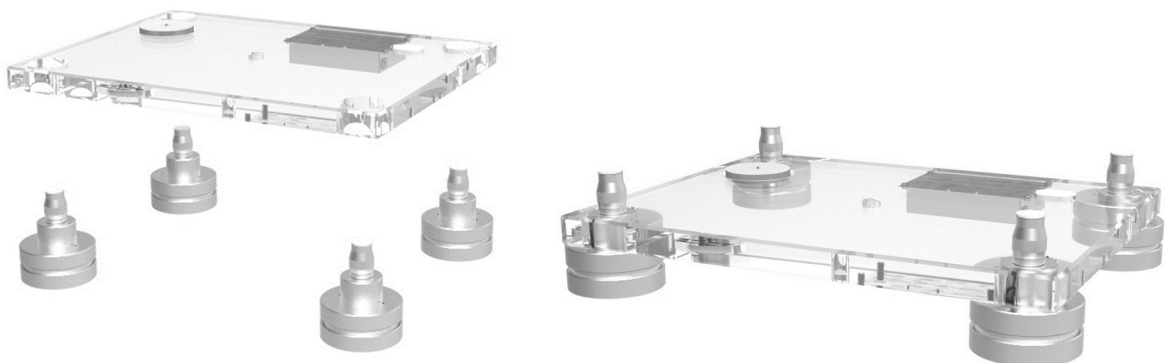
- e) Remove another set of white foam inserts to get to the feet and main platter



2. CHASSIS ASSEMBLY

- a) Remove the 4 turntable feet from the bottom foam insert and place them in the final location where you will assemble and use the turntable.

Use the provided A3 template to precisely position the turntable feet so that you can comfortably fit the lower part of the acrylic chassis over them.



- b) Take the top acrylic chassis and place it on the turntable feet.
c)



3. MOTOR ASSEMBLY

Remove the motor from bottom foam insert and place it on the foam support in the bottom acrylic chassis as shown on the pictures below.



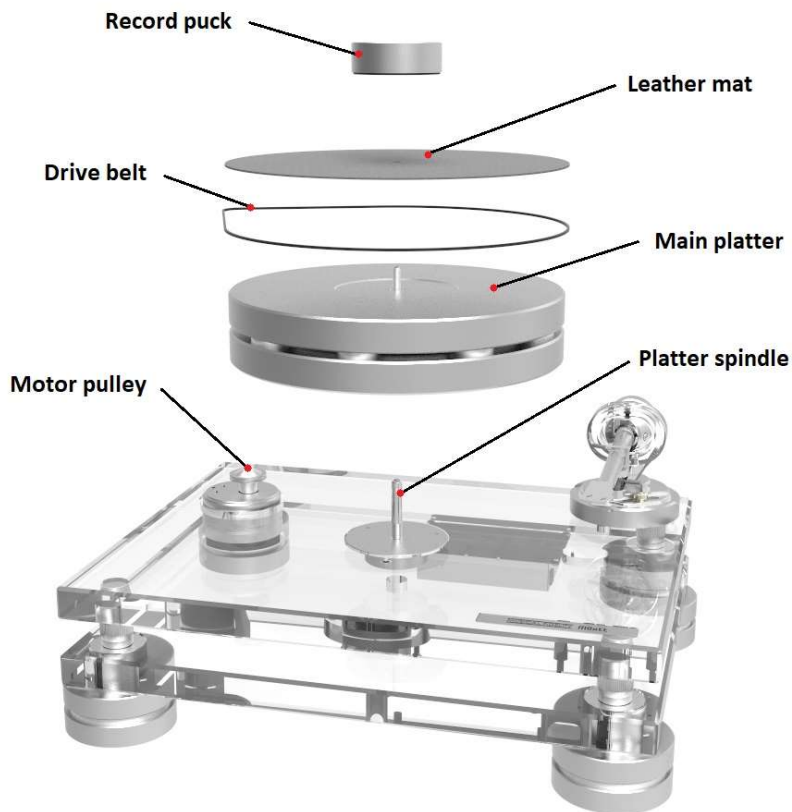
Turn the power supply connector to the rear side of the turntable for easy power input connection.

4. TURNTABLE DRIVE ASSEMBLY

Remove the protective cap from the platter spindle in the top acrylic chassis and protective cap from the main platter housing.

Carefully place the main platter over the spindle.

Fit the drive belt around the platter and the motor pulley. Avoid getting sweat or grease on the belt as these will deteriorate the performance and reduce the belt's lifespan. Use absorbent kitchen paper to remove any oil or grease from the outer edge of the platter and the belt.

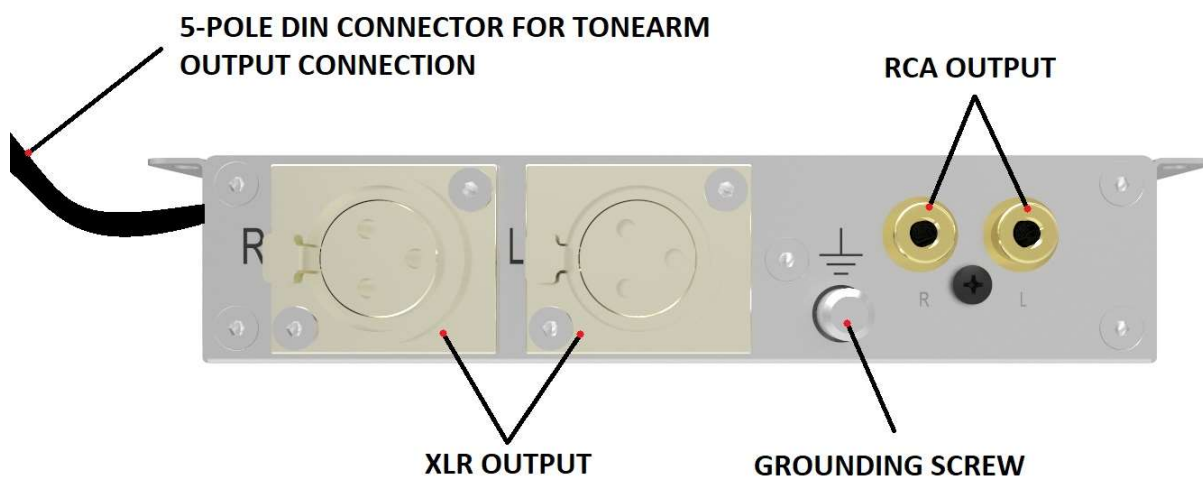


5. CONNECTION TO THE AMPLIFIER

The record player has two different output possibilities:

- 1) **RCA OUTPUT:** with gold plated female RCA phono sockets. Use the Phono input (sometimes labelled gram, disc or RIAA) on your amplifier. Make sure that the phono input offers correct matching and amplification for the type of cartridge used. Line inputs (like CD, Tuner, Tape or Video) are not suitable. Take care about connecting the left and right channel correctly. The RIGHT CHANNEL is usually marked RED, the LEFT CHANNEL BLACK or WHITE. Check the manual of your amplifier for relevant information. An earthing wire may be connected to the screw terminal between the sockets if you encounter humming problems.
If your amplifier does not have an input suitable for phono cartridges, a separate phono amplifier stage for MM or MC cartridges is required.
- 2) **XLR OUTPUT:** to use the XLR output & take full advantage of the true balanced connection your turntable needs to be equipped with an MC cartridge. „True Balanced Connection“ phono cables are available separately.

For detailed product information regarding Musical Fidelity phono amplifiers please visit our website: www.musicalfidelity.com



6. MAINS POWER CONNECTION

The turntable is supplied with the universal power supply with 3 exchangeable sockets adapters suitable for all countries. Select the correct adapter for your country and insert the adapter to the exchangeable part of the power supply.



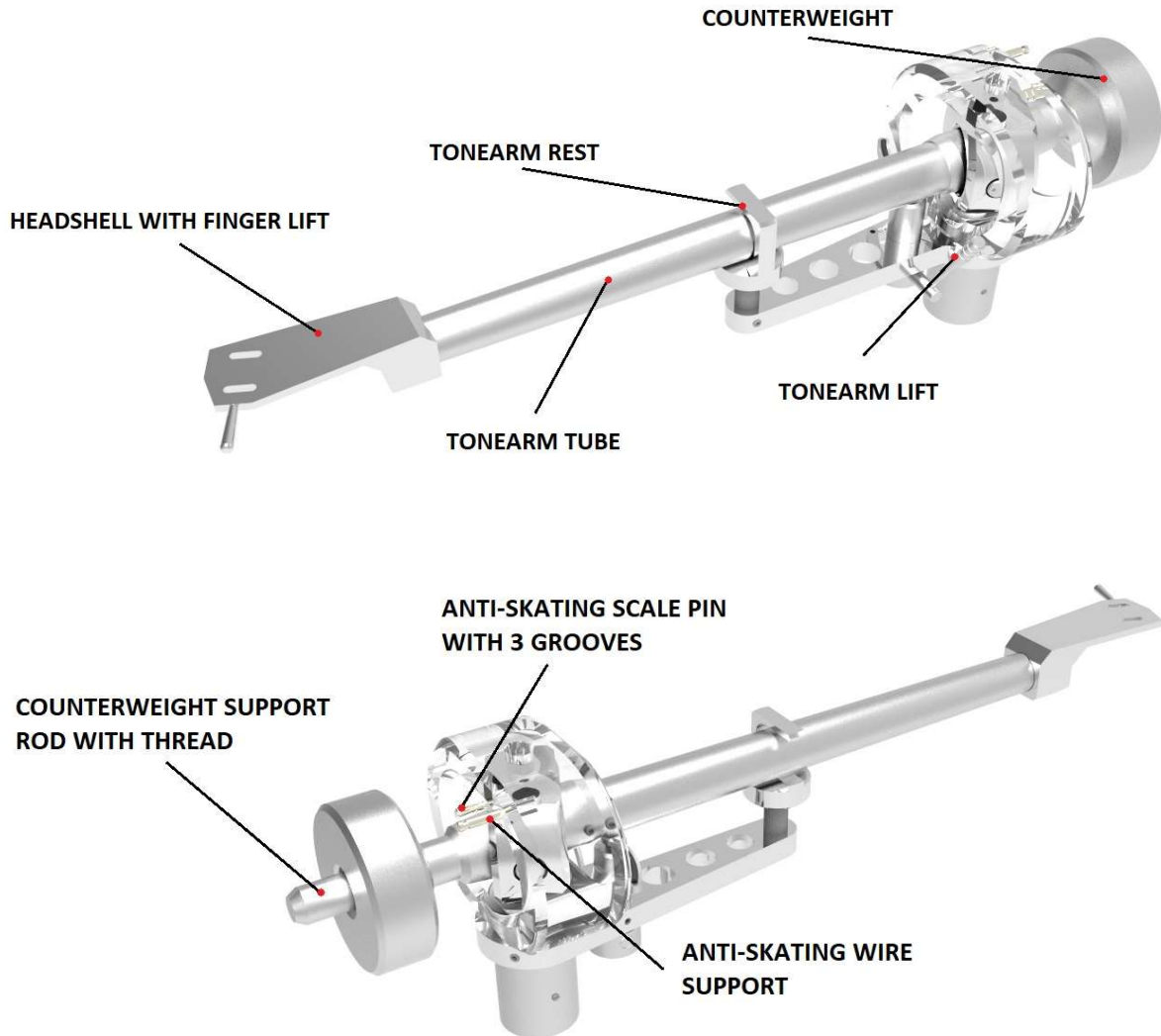
Connect the low voltage plug from the power supply to the socket on the rear of the record player before connecting the power supply to the mains.

7. SWITCHING ON AND OFF / CHANGING REPLAY SPEED

To play records at 33 r.p.m. press the "standby" button (**STBY**). Pressing the "standby" button one more time selects 45 r.p.m. The selected speed is shown respectively by the flashing LED. When the platter has attained full speed, the LEDs stop flashing. To stop the turntable, hold the STBY button for 3 seconds.



8. TONEARM SETTING



a) CARTRIDGE INSTALLATION

All cartridges with half inch mounting holes can be mounted. Leave the needle's protection cover on, fit the cartridge to the headshell by using the supplied screws by passing one screw through each slot in the headshell. Do not tighten the nuts yet.

Connect the tonearm wires with the cartridge pins as follows:

white	left channel positive (L+)
red	right channel positive (R+)
green	right channel return (R-)
blue	left channel return (L-)

The full sound quality of the record player can only be achieved if the cartridge is adjusted correctly. Particular tools like the Pro-Ject Audio Systems alignment tools are required to accomplish this job properly. If you are not well acquainted with the adjustment of cartridges, please call for the willing help of your Pro-Ject Audio Systems dealer.



Please note: adjusting a cartridge and tonearm calls for the greatest care in order to avoid damaging the cartridge or tonearm bearings. Ask your local dealer for help if you are unsure in any of the necessary steps and precautions which must be taken.

b) CARTRIDGE DOWNFORCE ADJUSTMENT

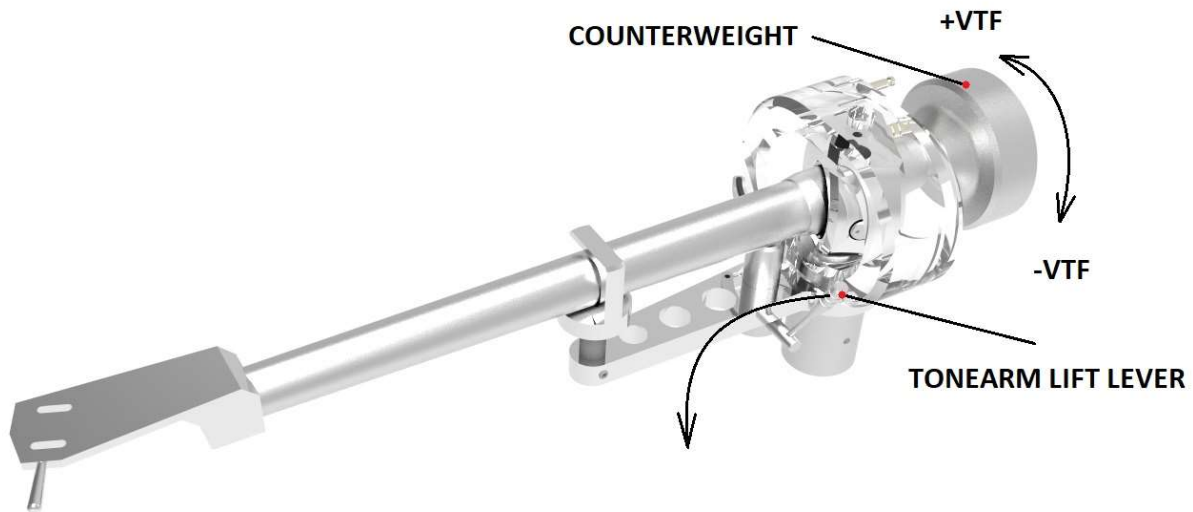
Before adjusting the downforce, confirm the exact weight of your cartridge.

Pushing carefully, move the counterweight onto the counterweight support rod with precise thread as shown in the illustration below. Place the stylus pressure gauge (not supplied) on the platter. To set the required VTF, lower the tonearm lift lever as indicated in the illustration and place the tip of the stylus on the pressure gauge.

As viewed from the headshell, moving the counterweight closer toward the tonearm increases the VTF, moving away from the tonearm reduces the VTF. Move the counterweight appropriately until the VTF shown on the pressure gauge matches your cartridge's recommended vertical tracking force specifications.

Supplied counterweights:

For cartridge weight from	6 – 14g	(197g)
For cartridge weight from	12 – 20g	(217g)

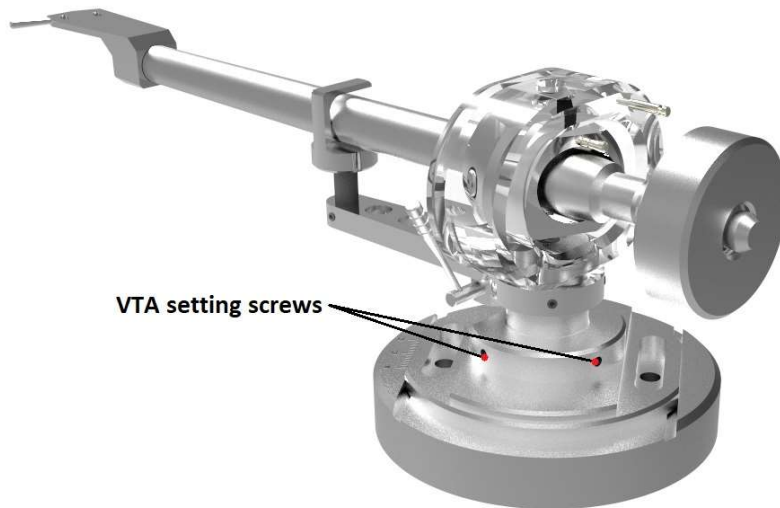


c) VERTICAL TRACKING ANGLE ADJUSTMENT

Put a record on the platter. When the needle is lowered into the record groove and the tonearm is not resting on the lift arm, the tube of the tonearm should be parallel to the surface of the record.

If it is not, loosen both hexagon screws in the tonearm base just enough to allow vertical movement of the arm pillar without force and slide the arm up or down until it is parallel.

Retighten the hexagon screws without applying excessive force (which would deform the arm pillar) – finger tight is quite sufficient.

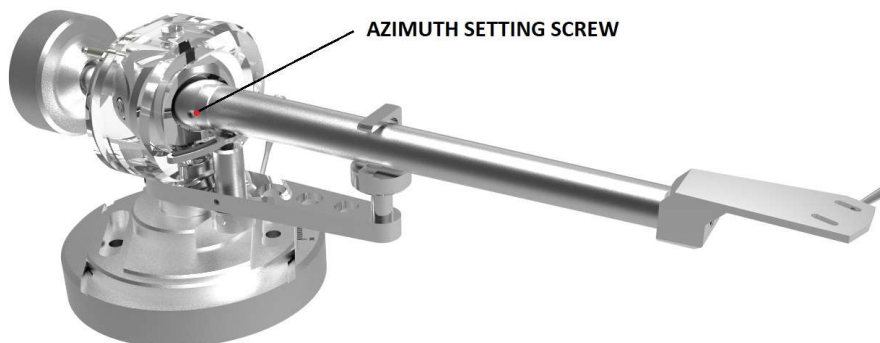


d) AZIMUTH ADJUSTMENT

The cartridge needle must be vertical in the record groove in order to trace the groove wall modulations correctly.

A small screw at the bearing end of the arm allows incorrect azimuth to be corrected.

Slacken off the screw just enough to be able to revolve the arm tube without applying force. Note! Do not remove this screw completely!

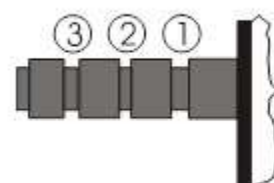


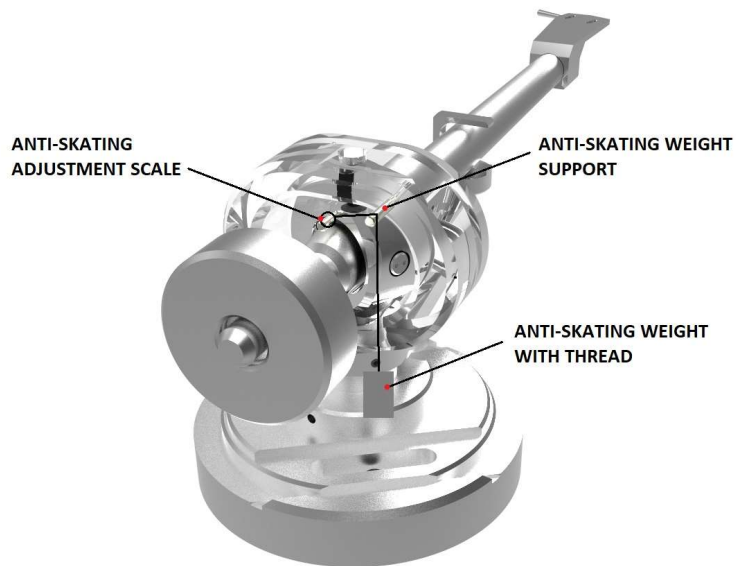
e) ANTI-SKATING FORCE ADJUSTMENT

Put the anti-skating thread hook over the anti-skating adjustment scale.

The anti-skating force must be adjusted corresponding to the downforce as follows:

<u>Downforce</u>	<u>Groove in the stub (15)</u>
10 - 14mN	1 st from bearing rings
15 - 19mN	2 nd " " "
20mN and bigger	3 rd " " "





TECHNICAL SPECIFICATIONS

Musical Fidelity M8xtt/ Musical Fidelity 10'' tonearm

Nominal speeds	33/45 r.p.m.
Speed variance	33: $\pm 0.11\%$ 45: $\pm 0.10\%$
Wow and flutter	33: $\pm 0.05\%$ 45: $\pm 0.04\%$
Signal to noise	-78dB
Effective tonearm mass	17g
Effective tonearm length	10 " (254mm)
Overhang	16mm
Power consumption	5W/ 0.3W standby mode
Outboard power supply	15V/ 0.8 A DC, universal power supply
Dimensions (W x H x D)	533 x 245 x 413mm
Weight	31.5 kg

Potential incorrect use and fault conditions

Musical Fidelity turntables are manufactured to the highest standards and undergo strict quality controls before leaving the factory. Faults that may possibly occur are not necessarily due to material or production faults but can sometimes be caused by incorrect use or unfortunate circumstances. Therefore the following list of common fault symptoms is included.

The platter doesn't turn although the unit is switched on:

- The unit is not connected to the mains power supply.
- No mains at the socket.
- Drive belt is not fitted or has slipped off.

No signal through one or other channel or both channels:

- No signal contact from the cartridge to the internal tonearm wiring or from that to the arm lead or from that to the phono box or between that and the amplifier. This could be due to a faulty plug, broken wire or solder joint or simply loose plug/socket connection.
- Phono input not selected at amplifier.
- Amplifier is not switched on.
- Amplifier or speakers are defective or muted.
- No connection to the loudspeakers.

Strong hum on phono input:

- No earth connection from cartridge or arm or arm cable to amplifier, or earth loop.

Distorted or inconsistent sound from one or both channels:

- Record player is connected to wrong input of amplifier, or MM/MC switch incorrectly set.
- Needle or cantilever damaged.
- Wrong r.p.m., drive belt overstretched or dirty, platter bearing without oil, dirty or damaged.

Service

Should you encounter a problem which you are not able to alleviate or identify despite the above information, please contact your dealer for further advice. Only when the problem cannot be resolved there should the unit be sent to the responsible distributor in your country.

Guarantee repairs will only be affected if the unit is returned correctly packaged. For this reason, we recommend keeping the original packaging.

Never return a record player without making sure that it is safely disassembled and correctly packaged in the original packaging according to the diagrams on the last page of this user guide. Please remove these parts and pack them separately: lid, counterweight, anti-skating weight, platter and belt. Fit the cartridge protection cap. Insert the transport screws for the sub-chassis, the transport lock for the tonearm prior to carefully packaging the record player.

Warranty



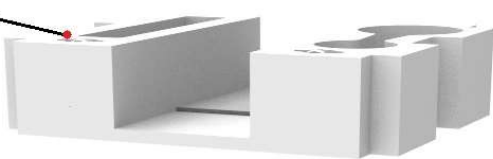
The manufacturer accepts no responsibility for damage caused by not adhering to these instructions for use and/or by transportation without the original packaging. Modification or change to any part of the product by unauthorized persons, release the manufacturer from any liability over and above the lawful rights of the customer.

Musical Fidelity is a Registered Trademark of H. Lichtenegger.

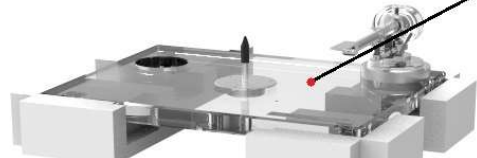
This guide was produced by: Musical Fidelity Copyright © 2023. All rights reserved.

The information was correct at the time of going to press. The manufacturer reserves the right to make changes to the technical specification without prior notice as deemed necessary to uphold the ongoing process of technical development.

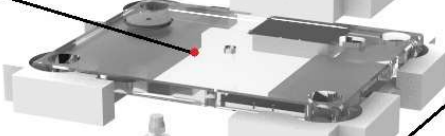
**Top foam insert
with accessories and
tonearm counterweights**



**Top acrylic chassis (with
flange or tonearm)**



Bottom acrylic chassis



**Bottom foam insert with
main platter, motor and
feet**



Power supply

