



User Guide

Headphones

YH-5000SE

EN

Contents

Introduction	3
About this User Guide	3
Advantages of this product	4
Part names and accessories	5
Connections	7
Connecting the headphones with the included cable	7
Connecting to an audio device	8
Wearing this product	10
Putting the headphones on	10
Replacing the earpads	12
Maintenance	15
Taking care of the headphones	15
Taking care of the accessories	16
Storing this product	17
Troubleshooting	18
Check this first	18
Aftersales service	19
Appendix	20
Specifications	20
Optional accessories (sold separately)	22
Trademarks	23

Introduction

About this User Guide

This guide explains how to connect and operate the product.

- The precautions and other matters in this guide are classified as follows.



WARNING

This content indicates “risk of serious injury or death.”



CAUTION

This content indicates “risk of injury.”

NOTICE

Indicates points that you must observe in order to prevent product failure, damage or malfunction and data loss, as well as to protect the environment.

NOTE

Indicates notes on instructions, restrictions on functions, and additional information that may be helpful.

- All illustrations and screens shown in this guide are for explanatory purposes.
- All company names, product names and other such listings in this guide are the registered trademarks or trademarks of their respective companies.
- Text labeled as [Search tag] is for the purpose of searching.

Advantages of this product

This product is a pair of headphones that connects via cable to an audio device such as a headphone amplifier.

Immerse yourself more deeply in your own world of sound and music

Yamaha's flagship model of open-back headphones featuring the Orthodynamic™ driver

This product is our flagship model of headphones, created through the culmination of many years and an array of unique technologies from design to manufacturing, and is designed with the goal of providing a comfortable listening experience in which you lose track of time and immerse yourself whenever you like in your music.

Just close your eyes to delight in the feeling of being right there with the artists. The YH-5000SE brings you countless hours of musical enjoyment.

The sound that makes total immersion in your music a reality

- Yamaha's proprietary Orthodynamic™ driver is built into these headphones to fully realize both the delicacy and the massive power of your music, with a highly responsive yet flexible tonal character
- Large housing and filter design offer a dense, open sound
- Specially-designed silver-coated OFC cables used for minimizing sound quality degradation in transmission, bringing out the full sound spectrum of the source


Comfortable fit for long periods of listening to music

- Housing made of magnesium for a lightweight, sturdy design
- Earpads made with three-dimensional stitching and low-rebound urethane foam for a comfortable fit
- Two types of earpads made of different materials are included, selectable according to your tastes
- Head pad made using three-dimensional stitching to fit your head shape, reducing pressure on the top of your head
- Smooth stepless slider lets you precisely adjust the fit of the headphones

Design

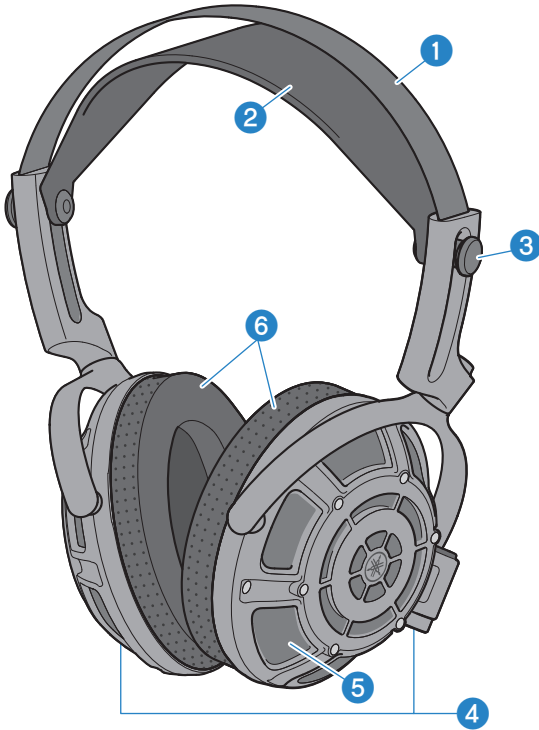
- Highly original form that encompasses functionality and a unique design, realizing a powerful sound with presence that comes alive
- The gorgeous styling gives this product a presence for a longer, more immersive time listening to music, making the experience special

For more information

 <https://www.yamaha.com/2/yh-5000se/>

Part names and accessories

Part names



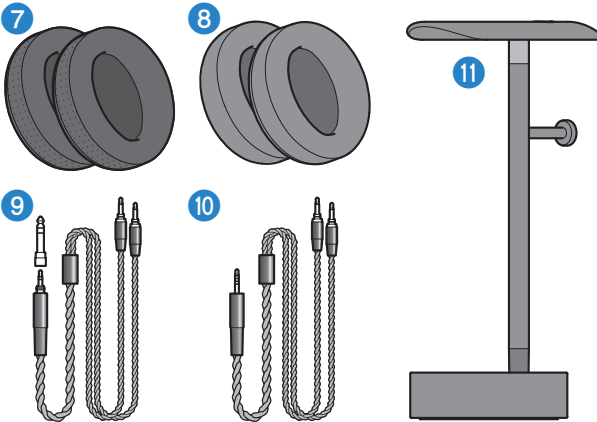
- 1 **Headband**
- 2 **Head pad**
- 3 **Slider**
- 4 **Cable jacks (L), (R)**
- 5 **Housing**
- 6 **Earpads**

NOTICE

- This product uses strong magnets. Do not place or hold this product near any objects that might be affected by the magnetic field of this product.
 - For objects like clocks or ATM cards, the data on the affected device may be corrupted or destroyed.
 - Metal parts like paper clips or screws may come into contact with and scratch this product, or cause a malfunction.
- As the diaphragm used in this product are susceptible to impact, do not drop this product or expose it to strong impact. This may cause a malfunction.

Accessories

Make sure that all of the accessories are included with this product.



7 Headphone Earpads (Leather) × L, R: 1 set

Note: These are pre-attached to the product.

8 Headphone Earpads (Ultrasuede®) × L, R: 1 set

9 Headphone Unbalanced Cable (3.5 mm, three-conductor plug), 2 m (78-3/4")

(Includes a 6.3 mm adaptor plug)

10 Headphone Balanced Cable (4.4 mm, five-conductor plug), 2 m (78-3/4")

11 Headphone Stand

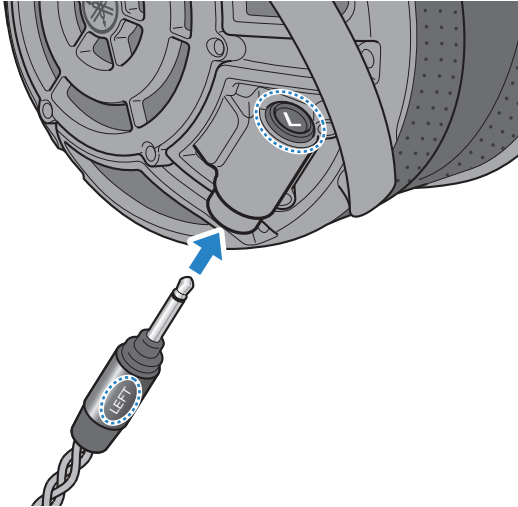
12 Quick Guide

13 Safety Guide

Connections

Connecting the headphones with the included cable

Connect the included headphone balanced cable or unbalanced cable to the headphones.



Make sure that the correct cable plugs, L (left) and R (right) are plugged into the correct sides on the headphones, and firmly insert the plugs all the way into the Cable jacks.

NOTICE

- When plugging or unplugging the cable, make sure to grip the plugs with your hand. If you pull too hard on the cable itself, the cable wires may break.
- Insert the plug all the way into the jack. If the plug is not fully inserted, you may hear no sound, or you may hear breaks in the sound.
- The audio may sound strange if you get the L (left) and R (right) Cable jacks mixed up.

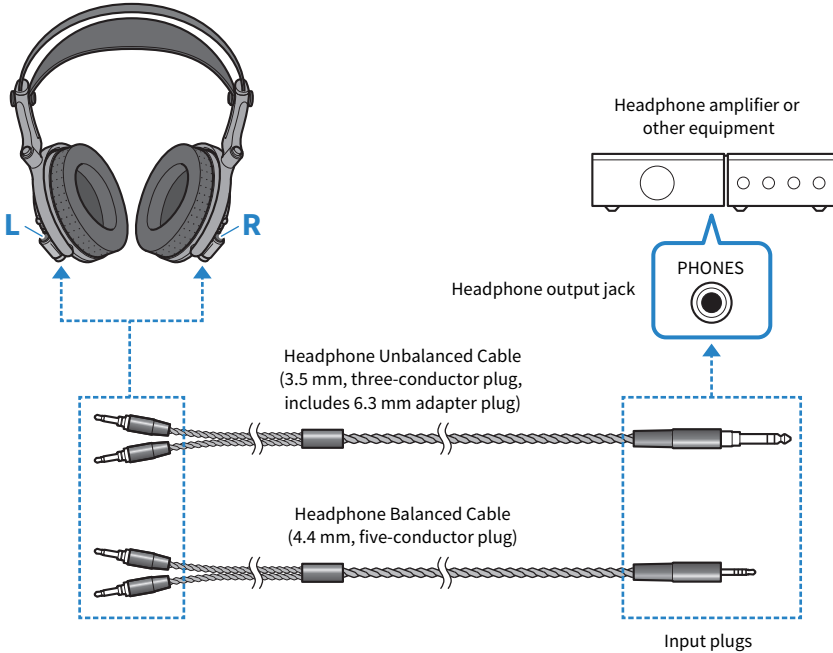
Connecting to an audio device

This shows you how to connect the included cable to an audio device such as a headphone amplifier.



CAUTION

- Make sure to turn the volume all the way down on the devices you connect to this product to beforehand.



Firmly plug the balanced or unbalanced cable into the headphone output jack on the device to which you want to connect.

Headphone Unbalanced Cable

- Connecting to a $\Phi 6.3$ mm headphone jack



- Use the cable with the adaptor plug attached on the end.

- Connecting to a $\Phi 3.5$ mm headphone jack



- Remove the adaptor plug on the end of the cable before use.

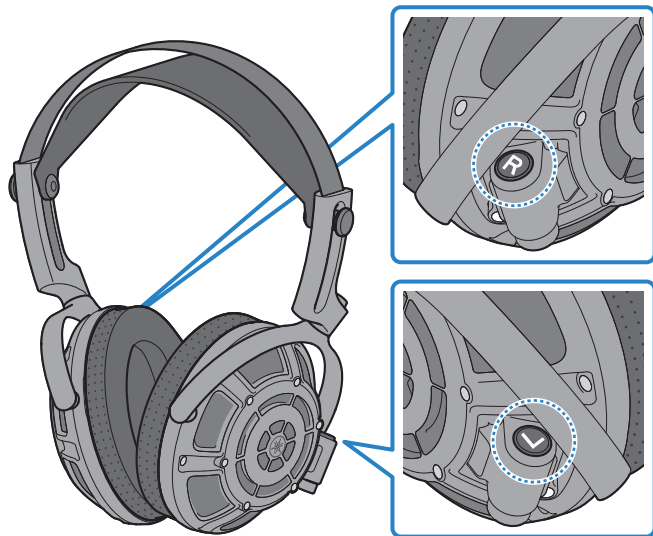
NOTE

- The included cable and adaptor plug are only for use with headphones.
- Make sure to plug the cable only into the headphone output jack of the device to which you are connecting.
- Be sure to grip this cable's plug when inserting or unplugging. If you pull on the cable instead, the cable wires may break.
- Insert the plug all the way into the jack. If the plug is not fully inserted, you may hear no sound, or you may hear breaks in the sound.
- When connecting this product to another device, refer to the Owner's Manual for that device as well.

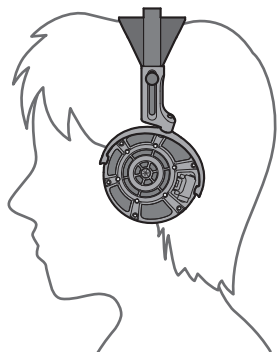
Wearing this product

Putting the headphones on

Put the headphone marked L on your left ear, and put the headphone marked R on your right ear.

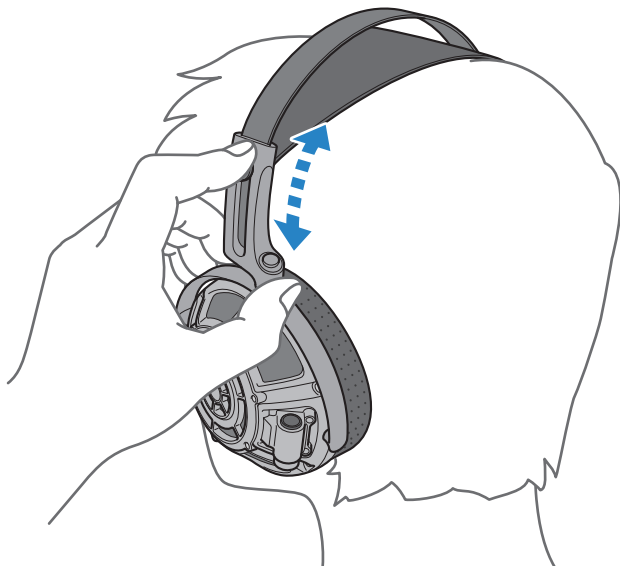


Make sure that each headphone covers your entire ear.



Wearing this product > Putting the headphones on

Use the slider to adjust the position according to the size of your head.



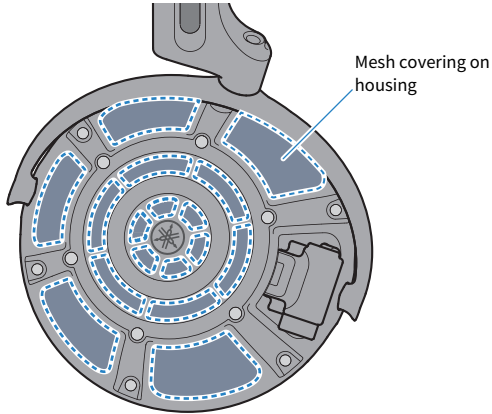
NOTICE

- Be careful not to get your fingers or hair caught in the movable part of the slider.
- Do not forcibly pull on the movable part of the slider. These actions may cause a malfunction.
- Do not apply too much force to the mesh covering on the housing, or expose it to impact. This may damage the mesh covering.

Replacing the earpads

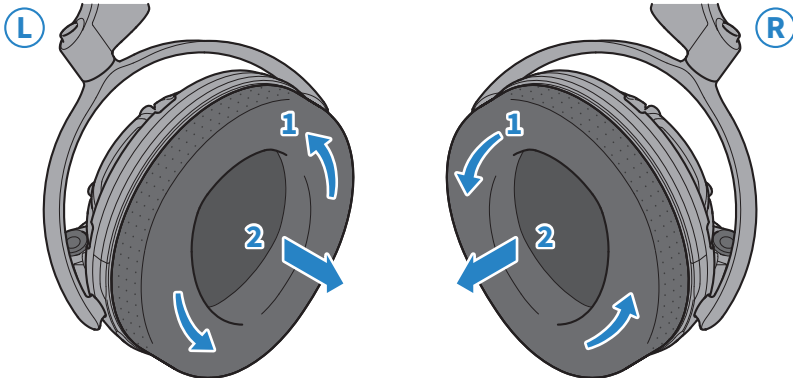
NOTICE

- When replacing the earpads, do not apply too much force to the mesh covering on the housing, or expose them to impact. This may cause a malfunction or damage the product.



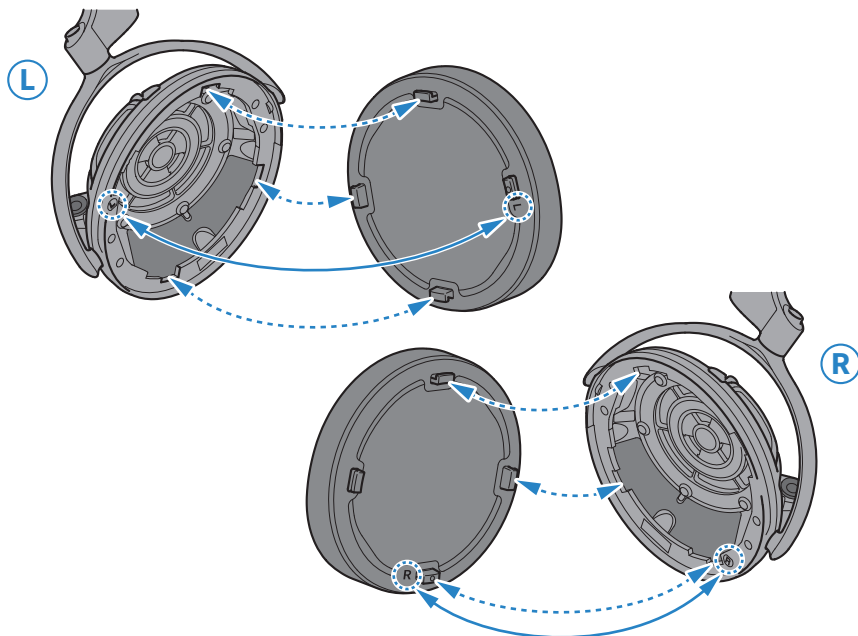
Follow these steps to replace the earpads.

- 1 Hold the earpad and rotate counterclockwise while pulling the earpad towards you to detach it from the headphones.**

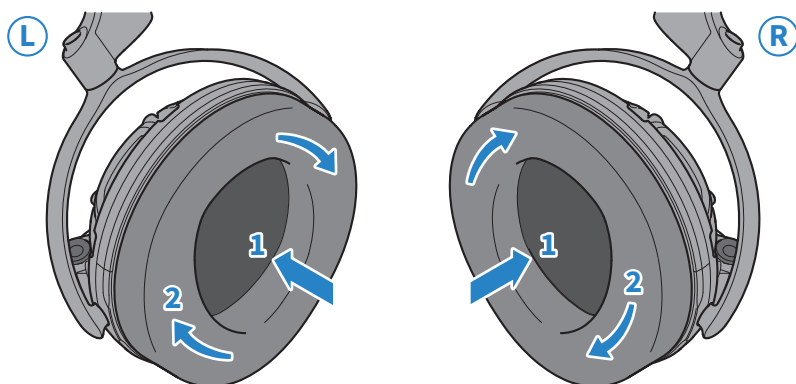


2 Align the replacement earpad with the marked areas inside the headphone housing.

The housings are marked on the inside with “L” for the left side and “R” for the right side. Align the respective “L” and “R” markings on the housings with those on the earpads.



3 Hold the earpad and rotate clockwise while attaching the earpad onto the headphones.



Wearing this product > Replacing the earpads

NOTE

After attaching the earpads, lightly pull on them to make sure that they won't easily come off. The sound quality may not be as good if the earpads are not firmly attached.

Maintenance

Taking care of the headphones

Daily maintenance

- Use a dry and soft cloth when wiping the product.
- Do not use disinfectant solutions containing alcohol or similar liquids.
- To prevent rust or deformation, always keep the product dry and avoid placing it in extremely cold or hot locations.
- Be careful not to heat the product with a hairdryer or heating device.
- Do not expose this product to direct sunlight for long periods of time.

Headband

- If the headband gets dirty, wipe it with a soft, dry cloth or a tightly wrung cloth.
- Wipe the headband regularly to remove any dust.

Head pad

- If the head pad gets dirty, wipe it with a soft, dry cloth or a tightly wrung cloth. Do not use disinfectant solutions containing alcohol or similar liquids.
- Wipe the head pad regularly to remove any dust.

Housing

- Use a dry and soft cloth to wipe off the surface of the housing.
- When cleaning the housing mesh covering, use a dry cloth, cotton swab, air blower, a commercially available air duster or similar tool. When using an air blower, a commercially available air duster or the like, be careful not to propel too much air on the precision moving parts such as the driver unit, as this may cause a malfunction.

Taking care of the accessories

Earpads

- Do not use shoe polish, solvents (such as thinner or benzine), or disinfectant solutions containing alcohol or similar liquids.
- Hair care products may cause damage to leather. If any such products get on the earpads, carefully wipe them off.
- The earpads may naturally degrade over time, even when stored and used normally. We recommend that you replace the earpads soon if they have degraded.

NOTE

Some parts of the earpads use all-natural leather, giving each one a slightly different appearance and feel. Note that the leather surfaces may become discolored or wrinkled, depending on how they are used.

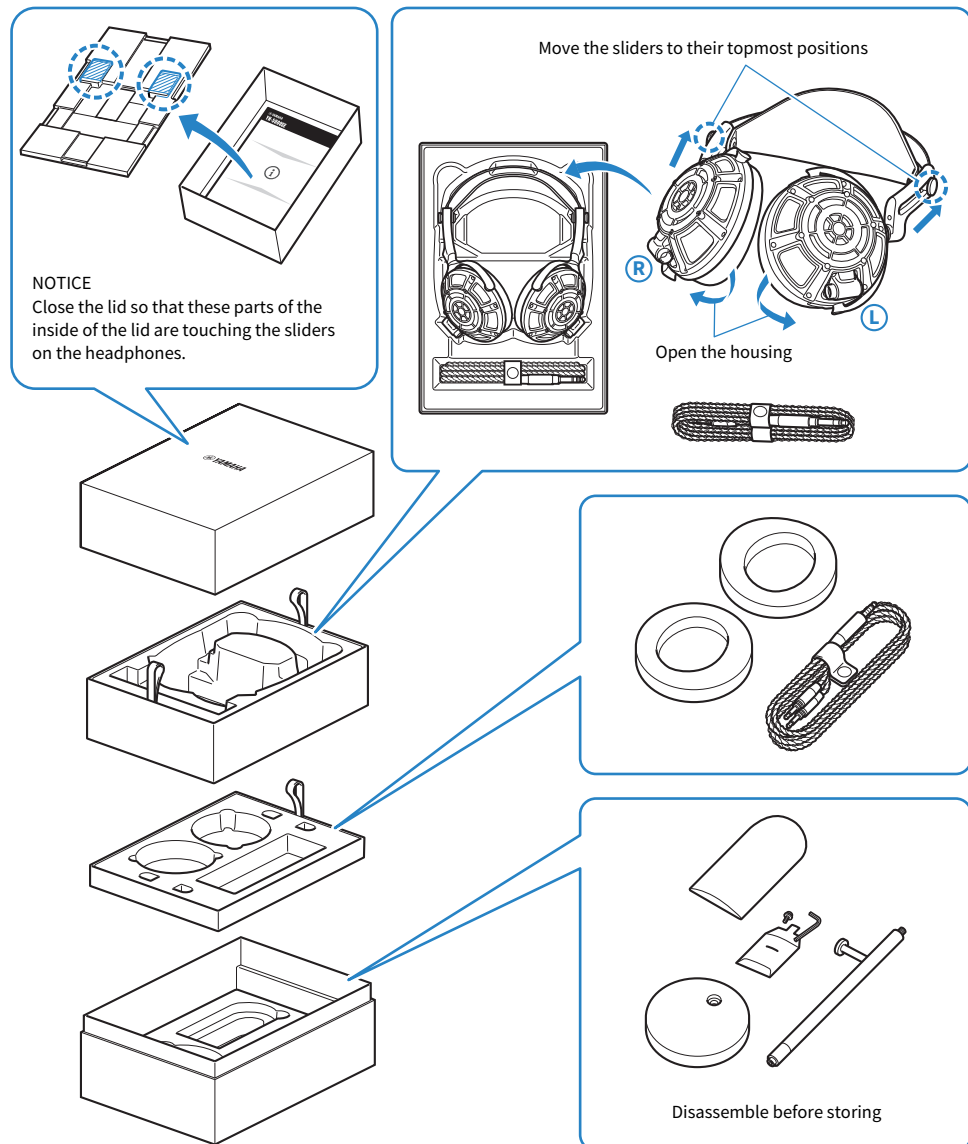
Cable plugs

- Use a dry and soft cloth or similar material when wiping.

Storing this product

You can store this product in the box when you are not using it.

We recommend that you maintain and clean the product before storing it, to keep it in good condition to use for a long time.



Troubleshooting

Check this first

If this product does not operate normally while you are using it, check the following points.

[Search tag] #Q01 Troubleshooting

No sound can be heard

● **The cable may not be correctly connected.**

Make sure that the cable is correctly plugged in all the way into the headphones and the connection jack on your audio device.

- “Connections” (p.7)

● **The power of the audio playback device might not be on.**

Turn on the power of your connected device.

● **The volume is too low.**

Raise the volume on your connected device.

● **The audio stopped playing back.**

Start playback.

Sound is not good or sounds strange

● **You might be wearing the headphones on the wrong sides (L/R).**

Check that the left (L) and right (R) headphones are worn on the correct sides.

- “Putting the headphones on” (p.10)

● **The left (L) and right (R) plugs of the balanced or unbalanced cable might be plugged into the wrong jacks on the headphones.**

Check the left (L) and right (R) jacks on the headphones and connect the plugs correctly.

- “Connections” (p.7)

● **The earpads may not be correctly attached.**

Check whether the left (L) and right (R) earpads are attached to the correct sides of the headphones.

- “Replacing the earpads” (p.12)

If the trouble still cannot be solved, please contact us for product support as shown below.

- For customers within Japan

Please contact the store where you purchased this product, or the Product Support Center as listed in the “Safety Guide” included with this product.

- For customers outside of Japan

Please contact your nearest authorized Yamaha dealer or service center.

<https://manual.yamaha.com/av/support/>

Aftersales service

- The earpads are replaceable parts. As the earpads are an important part of this product that affect the sound quality, we recommend that you replace them soon if they are degraded or damaged.
- The serial number that is engraved on the headband cannot be engraved again on the replacement part if the headband is repaired or replaced.
- If one of the driver units on the headphones is damaged or malfunctioning, you may notice a difference in sound between the left and right sides. For this reason, we recommend replacing both sides at the same time.

For service or general inquiries

- For customers within Japan
Please contact the store where you purchased this product, or the Yamaha repair consulting center as listed in the “Safety Guide” included with this product.
- For customers outside of Japan
Please contact your nearest authorized Yamaha dealer or service center.
<https://manual.yamaha.com/av/support/>

Appendix

Specifications

The specifications of this product are as shown below.

YH-5000 Headphones (main unit)

- Driver type
 - Open-back type
- Driver units
 - Planar magnetic (Orthodynamic™ driver)
- Frequency response
 - 5 Hz–70 kHz
- Sensitivity
 - 98 dB/mW (at 1 kHz)
- Impedance
 - 34 Ω (at 1 kHz)
- Weight
 - Approx. 320 g (11.29 oz) (not including cable but including earpads (LE))

HUC-SC020 Headphone Unbalanced Cable

- Length
 - Approx. 2 m (78-3/4")
- Plug shape
 - Device side
 - 3.5 mm, three-conductor plug (includes 6.3 mm screw-on adapter)
 - Headphones side
 - 3.5 mm, two-conductor plug
- Conductive material
 - Silver-coated OFC
- Weight
 - Approx. 105 g (3.7 oz)

HBC-SC020 Headphone Balanced Cable

- Length
 - Approx. 2 m (78-3/4")
- Plug shape
 - Device side
 - 4.4 mm, five-conductor plug
 - Headphones side
 - 3.5 mm, two-conductor plug
- Conductive material
 - Silver-coated OFC
- Weight
 - Approx. 100 g (3.53 oz)

HEP-5000LE Headphone Earpads (Leather)

- Surface material
Sheepskin and polyurethane leather
- Weight
Approx. 30 g (1.06 oz) / L and R pair

HEP-5000SU Headphone Earpads (Ultrasuede®)

- Surface material
Ultrasuede® (artificial suede-like leather)
- Weight
Approx. 30 g (1.06 oz) / L and R pair

HST-5000 Headphone Stand

- Dimensions (W × H × D)
118 × 283 × 146 mm (4-5/8" x 11-1/8" x 5-3/4")
- Weight
Approx. 980 g (34.57 oz)
- Material
Main unit: Aluminum
Joints: Copper alloy

* The contents of this User Guide apply to the latest specifications as of the publishing date. For the latest version of the User Guide, refer to the Yamaha website.

Optional accessories (sold separately)

The following optional products are also available for purchase to use with this product.

- HST-5000 Headphone Stand
- HEP-5000LE Headphone Earpads (Leather)
- HEP-5000SU Headphone Earpads (Ultrasuede®)
- HUC-SC020 Headphone Unbalanced Cable
- HBC-SC020 Headphone Balanced Cable
- HXC-SC020 Headphone XLR Cable

Trademarks

The trademarks used in this guide are as follows.

- ORTHODYNAMIC™
“ORTHODYNAMIC” is a registered trademark of Yamaha Corporation.

ultrasuede®

- “Ultrasuede®” is a registered trademark of Toray Industries, Inc.

Yamaha Global Site
<https://www.yamaha.com/>

Yamaha Downloads
<https://download.yamaha.com/>

© 2022 Yamaha Corporation

Published 10/2022 AM-A0

AV21-0049