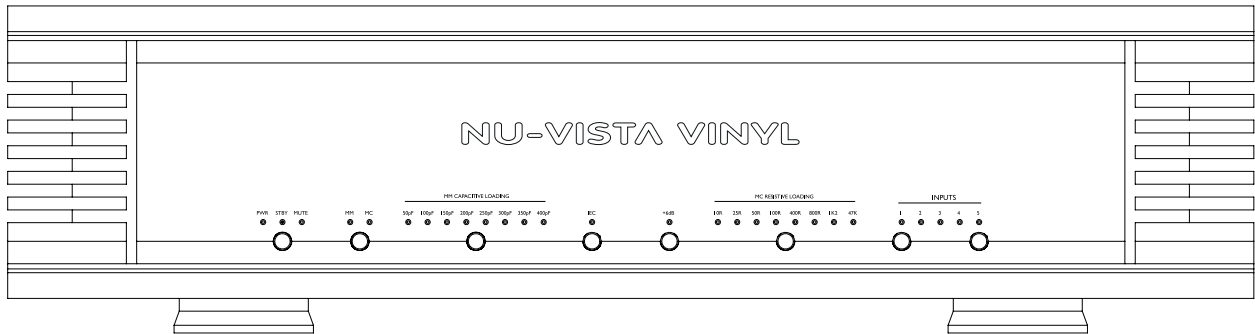


# NU-VISTA VINYL



## Introduction

Thank you for purchasing the Musical Fidelity Nu-Vista Vinyl.

The Nu-Vista Vinyl is a very high performance, fully balanced, highly accurate phono MM/MC cartridge amplifier in a beautifully designed and executed casework.

The unit features five completely separate, independently selectable cartridge inputs, balanced as well as single ended. This allows choice between five different turntables if required.

Selectable gain is provided to allow for different cartridge sensitivities and to suit any equipment. Cartridge type and loading is selected by front selector buttons for optimum cartridge performance.

Used carefully, it should give many years of outstanding musical reproduction.

If there are any questions about the audio system, please consult the dealer who is there to help and advise.

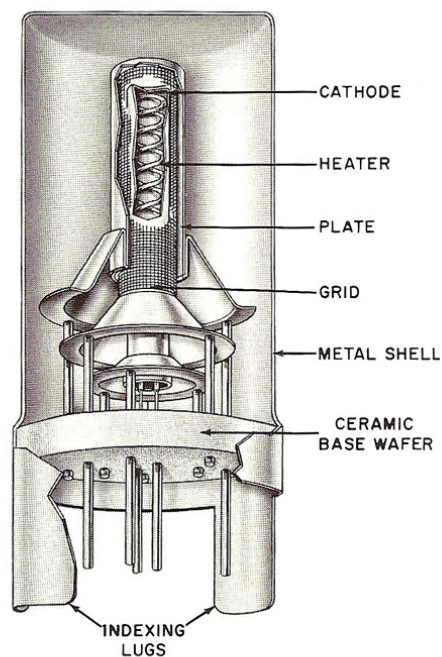
# NU-VISTA VINYL

## **Contents**

Introduction. . . . .	1
Safety Information . . . . .	4
Precautions & User Information . . . . .	4
Installation . . . . .	5
Facilities & Connections . . . . .	6
Operation . . . . .	7
Troubleshooting . . . . .	8
Specifications. . . . .	9
Item Disposal Information for Europe . . . . .	10

## CUTAWAY VIEWS

Showing Cylindrical Electrodes and Tripod-Like Supports



Typical  
Single-Ended  
Nuvistor Triode

\* UK English “valve” mentioned hereafter, refers to the ‘electron valve’ kind, also known as electron “tube” in other parts of the world.

# NU-VISTA VINYL

## Safety Information


This unit is supplied in the U.K. with a mains lead fitted with a moulded 13 amp plug. If, for any reason, it is necessary to remove the plug, please remove the fuse holder and dispose of the plug safely, out of reach of children. It must not be plugged into a mains outlet.

The wires in the mains lead supplied with this appliance are coloured in accordance with the following code

Green and yellow.....	Earth
Blue.....	Neutral
Brown.....	Live

**WARNING** - This appliance **MUST** be earthed.

The colours of the wires of the mains lead of this appliance, may not correspond with the coloured markings identifying the terminals in the plug, proceed as follows:

- The wire which is coloured green and yellow must be connected to the terminal in the plug which is marked with the letter E or coloured green or green-and-yellow, or by the earth symbol: 
- The wire which is coloured brown must be connected to the terminal which is marked with the letter L or coloured red.
- The wire which is coloured blue must be connected to the terminal which is marked with the letter N or coloured black.
- If connecting to a BS1363 plug, a 13 amp fuse must be used.

## Precautions & User Information

**WARNING:** Any modifications to this product, not expressly approved by Musical Fidelity, who is the party responsible for standards compliance could void the user's authority to operate this equipment.

This new Nu-Vista Vinyl is designed and built to provide trouble-free performance. As with all

electronic devices it is necessary to observe a few precautions:

- Heed all warnings shown on the back of the product.
- Only connect the Nu-Vista Vinyl to a mains outlet having the same voltage as marked at the back of the unit.
- Always ensure that when disconnecting and reconnecting your audio equipment the mains supply is switched off.
- Position the mains lead and signal interconnects where they are not likely to be walked on or trapped by items placed on them.
- Do not use near water, or place water-filled containers on the Nu-Vista Vinyl, for example, a flower vase or potted plants. If water does spill inside, immediately pull out the mains plug from the wall socket and inform the dealer, who should then check the unit before further use. Entry of liquid into the Nu-Vista Vinyl is dangerous, and may cause electric shock or fire hazard.
- Do not place the unit near direct heat sources such as radiators, direct sunlight or other equipment.
- Do not remove any covers or try to gain access to the inside. There are no user adjustments or fuses to change without qualification. Refer all service work to an authorised Musical Fidelity agent.

Note: Unauthorised opening of the equipment will invalidate any warranty claim.

The electronics in modern hi-fi equipment are complex and may, therefore, be adversely affected or damaged by lightning. For protection of the audio system during electrical storms, remove the mains plugs.

If after-sales service is required, to help the dealer identify the Nu-Vista Vinyl please quote the serial number located on the rear panel of the unit.

## **Installation**

### **Introduction**

This unit will deliver the ultimate performance possible from any phono source.

### **Cleaning**

Before cleaning the unit, switch off power at the mains switch and remove the mains plug from the wall socket. Clean the cabinet and remote control unit using a moist cloth. Using solvents, white spirit or thinners is not advised, as they could damage the surface finish.

### **Installation**

Position the Nu-Vista Vinyl on a stable, horizontal surface where there is no risk of it being knocked, or subjected to vibration such as from loudspeakers.

The Nu-Vista Vinyl contains valves which can be sensitive to vibrations. Pay particular attention to position the unit away from sources of noise and vibration.

### **Power Connections**

The Nu-Vista Vinyl is supplied with a standard IEC mains cable which plugs into the IEC socket at the back of the unit.

## **Audio Output Connections**

**RCA audio outputs:** Use good quality RCA phono audio cables (fully connected signal and ground), for optimum signal transfer.

**XLR audio outputs:** Use good quality XLR audio cables (fully connected hot and cold signals and ground), for absolute optimum signal transfer.

### **Interconnects**

If necessary, please refer to the dealer who can advise on quality cables for any particular setup. Musical Fidelity does not endorse any other manufacturer's cables.

### **Cartridge characteristics**

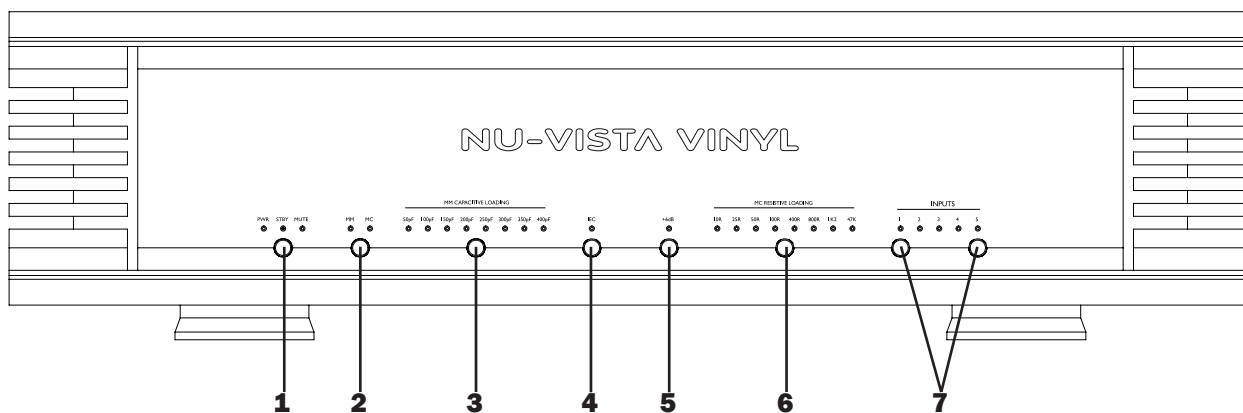
For setting the various loading characteristics, the cartridge manufacturer's data sheets or setup information should be consulted.

In a lot of cases the settings are not critical, and may even be changed to suit personal preference, if any audible differences are apparent.

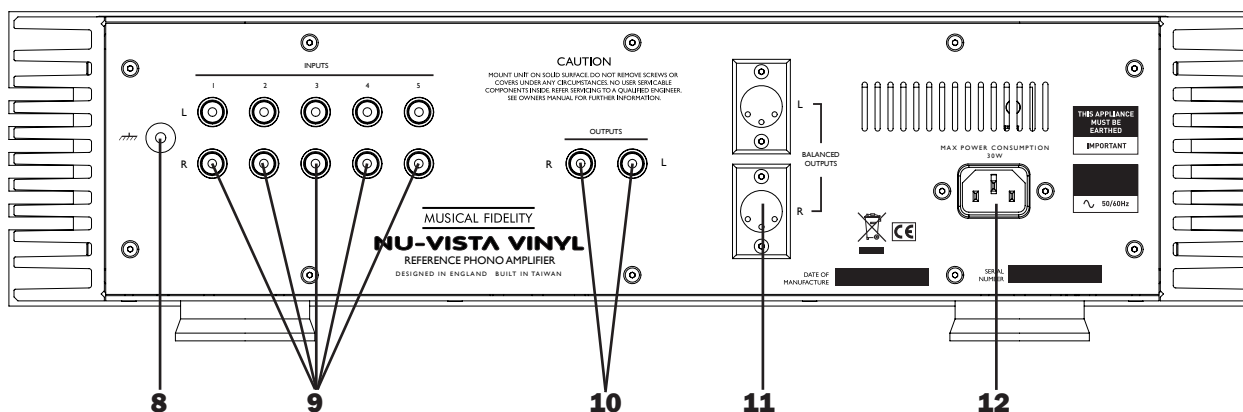
No damage will normally occur to an "incorrectly" loaded cartridge; at very worst a slightly impaired or nonoptimal frequency response and/or slightly increased distortion may result.

# NU-VISTA VINYL

## Facilities & Connections

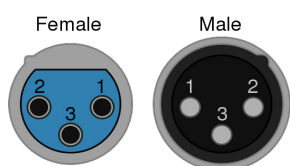


- |  |                               |
|--|-------------------------------|
| <b>1</b> Power/Standby/Mute button and LED's | <b>5</b> Gain +6db            |
| <b>2</b> MM/MC Selection                     | <b>6</b> MC Loading selection |
| <b>3</b> MM Loading selection                | <b>7</b> Input selection      |
| <b>4</b> IEC (on/off)                        |                               |



- |                               |                                |
|-------------------------------|--------------------------------|
| <b>8</b> Grounding post       | <b>11</b> XLR Balanced outputs |
| <b>9</b> RCA Phono Inputs L/R | <b>12</b> Mains IEC socket     |
| <b>10</b> RCA output L/R      |                                |

### Standard XLR Balanced input/output lead connections:



### Pin functions:

- 1** Ground, 0V
- 2** Normal polarity ("hot" or "+")
- 3** Inverted polarity ("cold" or "-")

(for reference only, no XLR signal leads supplied)

## Operation

Once the Nu-Vista Vinyl unit is correctly wired up, and plugged into mains, the orange STBY led should be lit.

In this mode the Nu-Vista Vinyl is consuming a minimal amount of power.

To switch the unit on, press the Power button **(1)** on the front of the unit. The blue PWR indicator will light along with the red MUTE indicator. After a few seconds, when it has stabilised, the MUTE function will switch off and the unit is ready for use.

## MM/MC selection

Press the MM/MC button **(2)** to switch between MM/MC cartridges.

## MM loading

Press the MM loading button **(3)** to cycle through MM loading.

## IRC

Press the IEC button **(4)** to reduce the subsonic output of the phono amplifier caused by disk warp and turntable rumble.

## Gain

Press the +6db button **(5)** to increase the output gain.

## MC loading

Press the MC loading button **(6)** to cycle through MC loading.

## Input selection

The Nu-Vista Vinyl has a total of five phono inputs available.

From the front panel you can cycle through the inputs by using the ◀ and ▶ buttons **(7)**. Pressing ▶ while on input 5 will cycle back to input 1. Whilst on input 1 the ◀ button will take you to input 5 again.

When each input is selected, the Nu-Vista Vinyl will remember the last settings applied.

## Outputs

On the rear of the unit are 2 sets of outputs. RCA (single ended) and XLR (balanced). Both can be used simultaneously. XLR (balanced) is recommended for greater dynamic range and lower noise, while RCA (single ended) is recommended for compatibility with other devices.

You can connect the Nu-Vista Vinyl to your amplifier using whichever is more convenient.

Note: A great deal of effort has gone into making sure that the unit exhibits no loud noises through the system during switching options or on/off. However, once installed into a hifi system, it is still a very high gain (amplification) amplifier at the beginning of a high amplification chain. Therefore, cranking the main amplifier volume to maximum and listening for clicks/thumps is neither recommended nor sensible. With this in mind, it is strongly recommended that the option buttons are only pressed when the volume is turned down (or muted), to avoid any accidental loud transients getting through to the speakers. Once options are set, the volume should then be turned back to normal listening level.

# NU-VISTA VINYL

## Troubleshooting

Problem	Probable Cause	Remedy
No power.	Power plug is not inserted into socket correctly.	Plug in securely into unit's IEC socket.
No sound.	Wrong connections between input sources and the unit. Cartridge incorrectly wired.	Check audio input and output lead connections. Check cartridge wiring.
Sound too quiet/loud.	Wrong MM/MC cartridge selection.	Use MM setting for MM cartridges. Use MC setting for MC cartridges.
Sound is not precise, lacking in bass and stereo image.	Cartridge incorrectly wired. Input connector plugs not fully pushed in. Output connector plugs not fully pushed in.	Check turntable tracking weight and cartridge setup. Check plugs are inserted fully and securely.
Hum.	Turntable not earthed or needs earthing. Turntable already earthed and earthing further creates hum loop in system. Earth loops already in system being amplified. Audio connector plug not fully pushed in Cable fault. Unsuitable Cable (e.g. cable grounds not connected).	Check turntable earthing lead is connected to earthing post. Disconnect earthing lead from earthing post. Investigate for earth loops elsewhere in system. Insert plug securely and check cable is connected at both ends. N.B. some esoteric cables have internal wiring intentionally disconnected/modified. For best results on all inputs AND outputs, please use good quality screened coax; fully connected signal-to signal, screen-to-screen.
Pop or click heard in speakers when switching on or off or changing options.	High gain of Nu-Vista Vinyl, amplifying normal circuit transients.	Not a fault. It is recommended that the volume level on amplifier is turned down if switching the Nu-Vista Vinyl on or off; or pressing option switches whilst connected.
Distorted sound.	Cartridge and/or tone arm not aligned properly. Cartridge fault or worn needle. Dirt on record.	Carefully follow turntable instructions to correctly re-align tone arm and cartridge. Replace needle or cartridge. Clean dust and dirt from record.
Distorted and loud sound.	Line outputs of Nu-Vista Vinyl plugged into PHONO amplifier inputs of following amplifier.	Use LINE level inputs only, e.g. an AUX input.

If none of these actions affect a cure, please contact the dealer, or an authorised Musical Fidelity service agent.

Remember; never open the case of the Nu-Vista Vinyl, as this will invalidate the guarantee.



## Specifications

<b>MM input</b> Frequency response Input sensitivity Input impedance Input capacitance THD at 1 kHz Overload margin Signal to noise ratio	RIAA or RIAA/IEC (selectable) $\pm 0.2$ dB 2.5mV in for 300mV out (at 1 kHz) 47K $\Omega$ 50-400pF selectable <0.01% 31dB >90dB "A"-wtd
<b>MC input</b> Frequency response Input sensitivity Input impedance Input capacitance THD at 1 kHz Overload margin Signal to noise ratio	RIAA or RIAA/IEC (selectable) $\pm 0.2$ dB 250 $\mu$ V in for 300mV out (at 1 kHz) 10 $\Omega$ to 47K $\Omega$ selectable 470pF fixed <0.01% 31dB >88dB "A"-wtd
<b>Outputs (RCA/XLR)</b> 1 pair RCA (phono) 1 pair XLR (balanced)	left and right 300mV nom 10V max left and right 600mV nom 20V max
<b>Power requirement</b> Mains voltages Consumption	230V/115V Internally set or 100V optional. AC 50/60Hz 30 Watts maximum. <0.5W in standby (orange LED on)
<b>Weight</b> Unit only, unboxed In shipping carton & inc. accessories	14.5kg 20.6kg
<b>Unit dimensions</b> Wide High, including feet Deep (front to back) including terminals	482 mm 130 mm 385 mm
<b>Standard accessories</b> Mains lead	10 Amp IEC

# NU-VISTA VINYL

## Item Disposal Information for Europe



### DISPOSAL

The crossed out wheeled bin label that appears on the back panel of the product indicates that the product must not be disposed of as normal household waste. To prevent possible harm to the environment please separate the product from other waste to ensure that it can be recycled in an environmentally safe manner. Please contact your local government office or your retailer for available collection facilities.



### DISPOSITION

La poubelle sur roulettes barrées X, qui apparaît en logo sur le panneau arrière du produit, indique que celui-ci ne doit pas être traité comme un déchet domestique commun. Afin de protéger l'environnement, ce produit électronique devra être géré séparément et donc recyclé selon les nouvelles normes Européennes Rohs concernant les déchets d'appareils électroniques. Prière de contacter les services concernés gouvernementaux ou votre point de vente pour l'élimination et l'enlèvement de déchets électroniques équipés de composants électroniques.



### DISPOSAL

La etiqueta cruzada hacia fuera del compartimiento que aparece en el panel trasero del producto indica que el producto no se debe reciclar como basura normal de la casa. Para prevenir daños posible al ambiente separe por favor el producto de otras basura para asegurarse de que puede ser reciclada de una manera ambientalmente segura. Entre en contacto por favor a su oficina gubernamental local o a su minorista para las instalaciones disponibles de la colección.



### RIFIUTI

L'etichetta del cassonetto barrato riportato sul retro dell'apparecchio indica che il prodotto non deve essere smaltito tramite la procedura normale di smaltimento dei rifiuti domestici. Per evitare eventuali danni all'ambiente, separare questo prodotto da altri rifiuti domestici in modo che possa venire riciclato in base alle procedure di rispetto ambientale. Per maggiori dettagli sulle aree di raccolta disponibili, contattate l'ufficio governativo locale od il rivenditore del prodotto.



### FACHGERECHTE ENTSORGUNG:

Das auf der Geräte rückseite angebrachte Label deutet darauf hin, dass das Produkt nicht mit konventionellem Hausmüll entsorgt werden darf. Um Schäden und Verschmutzungen an Umwelt und Mensch zu vermeiden, muss das Produkt fachgerecht entsorgt und von anderem Abfall getrennt werden. Wenden Sie sich bei Fragen hierzu an Ihren Fachhändler oder an eine öffentliche Informationsstelle.



### AFVAL

Het label op de achterzijde van dit apparaat, een afvalbak op wielen met een kruis doorgehaald, geeft aan dat dit apparaat niet samen met gewoon huishoudafval mag worden weggegooid. Om mogelijke schade aan onze leefomgeving te voorkomen dient dit apparaat, gescheiden van gewoon huishoudelijk afval, te worden afgevoerd zodat het op een milieuvriendelijke manier kan worden gerecycled. Neem voor beschikbare inzamelplaatsen contact op met uw gemeentelijke reinigingsdienst of met uw elektronica leverancier.



### HÄVITTÄMINEN

Yliüksattua jäteastiaa kuvaava tarra tuotteen takalevyssä kertoo, että tuotetta ei saa käsitellä normaalina talousjätteenä. Ympäristön suojelemiseksi on tuote pidettävä erillään muusta jätteestä ja se on kierrätettävä ekologisesti kestävällä tavalla. Ota yhteyttä laitteen myyjään tai Pirkanmaan Ympäristökeskukseen lähimmän kierrätyskeskuksen löytämiseksi.



### AFSKAFNING

Logoet med en skraldespand med kryds over på bagsiden af apparatet indikerer at dette produkt ikke må kasseres som normal husholdningsaffald. For at forebygge mulig skade på miljøet, bedes De separere dette produkt fra andet affald, og sikre at det bliver genbrugt på en miljørigtig måde. Kontakt venligst de lokale myndigheder eller din forhandler for oplysning om nærmeste tilgængelige opsamlingssted for elektronikaffald.



### ΔΙΑΔΙΚΑΣΙΑ ΑΠΟΡΡΙΨΗΣ

ΤΟ ΣΗΜΑ ΜΕ ΤΟΝ ΔΙΑΓΕΓΡΑΜΜΕΝΟ ΤΡΟΧΗΛΑΤΟ ΚΑΔΟ ΑΠΟΡΡΙΜΑΤΩΝ ΣΤΗΝ ΠΙΣΩ ΟΨΗ ΤΟΥ ΜΗΧΑΝΗΜΑΤΟΣ ΔΗΛΩΝΕΙ ΟΤΙ ΤΟ ΠΡΟΙΟΝ ΑΥΤΟ ΔΕΝ ΠΡΕΠΕΙ ΝΑ ΔΙΑΧΕΙΡΙΣΘΕΙ ΣΑΝ ΣΥΝΗΘΙΣΜΕΝΟ ΟΙΚΙΑΚΟ ΑΠΟΒΛΗΤΟ. ΠΡΟΣ ΑΠΟΦΥΓΗ ΕΝΔΕΧΟΜΕΝΗΣ ΕΠΙΒΑΡΥΝΣΗΣ ΤΟΥ ΠΕΡΙΒΑΛΛΟΝΤΟΣ, ΞΕΧΩΡΙΣΤΕ ΤΟ ΠΡΟΙΟΝ ΑΠΟ ΤΑ ΑΛΛΑ ΑΠΟΡΡΙΜΑΤΑ ΩΣΤΕ ΝΑ ΕΞΑΣΦΑΛΙΣΘΕΙ Η ΑΝΑΚΥΚΛΩΣΗ ΤΟΥ ΜΕ ΤΟΝ ΠΡΕΠΟΝΤΑ ΤΡΟΠΟ. ΠΑΡΑΚΑΛΟΥΜΕ ΝΑ ΕΠΙΚΟΙΝΩΝΗΣΕΤΕ ΜΕ ΤΗΝ ΤΟΠΙΚΗ ΥΠΗΡΕΣΙΑ ΑΝΑΚΥΚΛΩΣΗΣ Η ΜΕ ΤΟ ΚΑΤΑΣΤΗΜΑ ΑΓΟΡΑΣ ΓΙΑ ΠΕΡΙΣΣΟΤΕΡΕΣ ΛΕΠΤΟΜΕΡΕΙΕΣ.



## MUSICAL FIDELITY

**Musical Fidelity Limited**  
Unit 24 - 26, Fulton Road  
Wembley HA9 0TF England  
+44 (0)20 8900 2866  
<http://www.musicalfidelity.com>